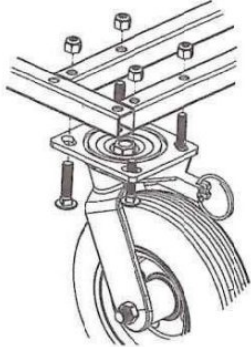


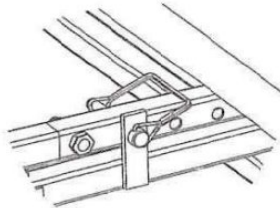
#	Qty	Description
1	1	Base
2	1	Back Support RH
3	1	Back Support LH
4	1	Lower Handle
5	2	Front Support
6	1	Upper Handle
7	2	Carpet Board
8	2	8" Caster
9	1	8" Caster-Locking
10	1	8" Caster-Braking
11	1	Pull Handle
12	2	Clevis Pin - Wire Retained
13	4	5/16" x 2-1/2" Ribbed Neck Bolt
14	4	5/16" Heavy Nut
15	26	3/8" Nylon Lock Nut
16	4	3/8 x 2-1/4" Hex Cap Screw
17	16	3/8 x 1-3/4" Carriage Bolt
18	6	3/8 x 1-3/4" Hex Cap Screw

Job Site Dollie

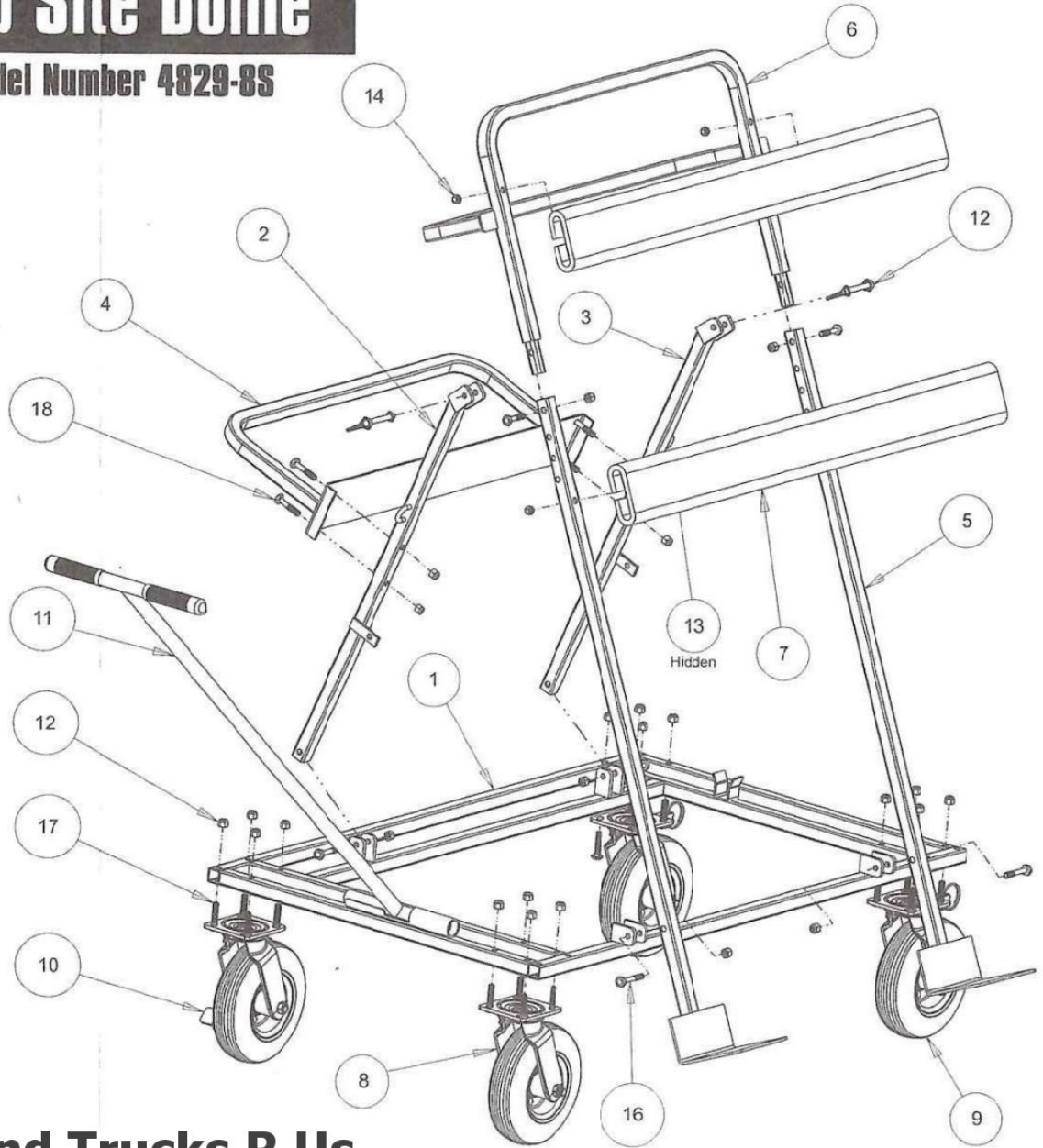
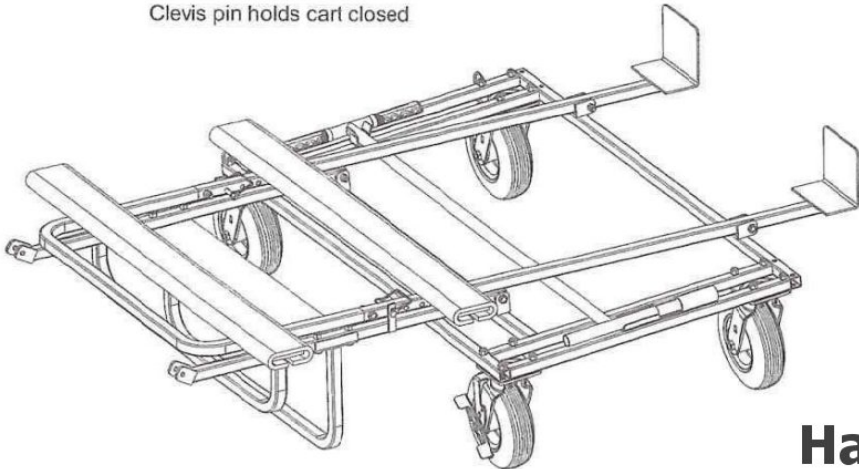
Model Number 4829-8S



Bolts installed from bottom of caster



Clevis pin holds cart closed



Hand Trucks R Us
 HandTrucksRUs.com 866-508-4877